





EE0435



EE1435



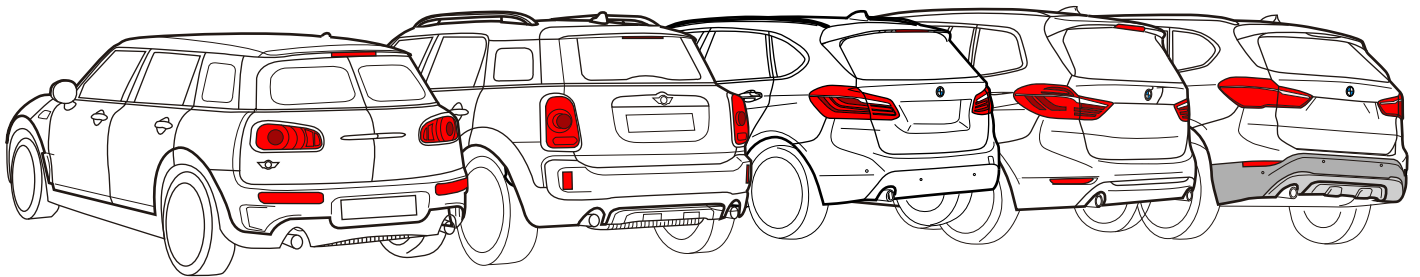
EE4435

**BMW SERIE 2 ACTIVE TOURER**  
**GRAN TOURER**

**BMW X1**

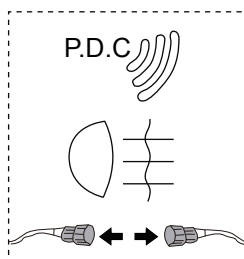
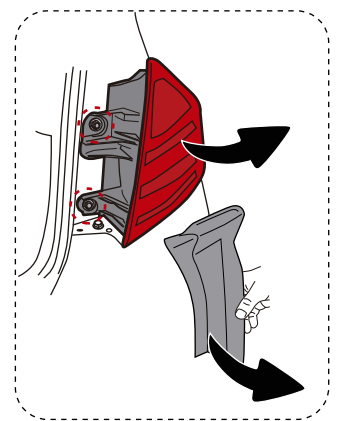
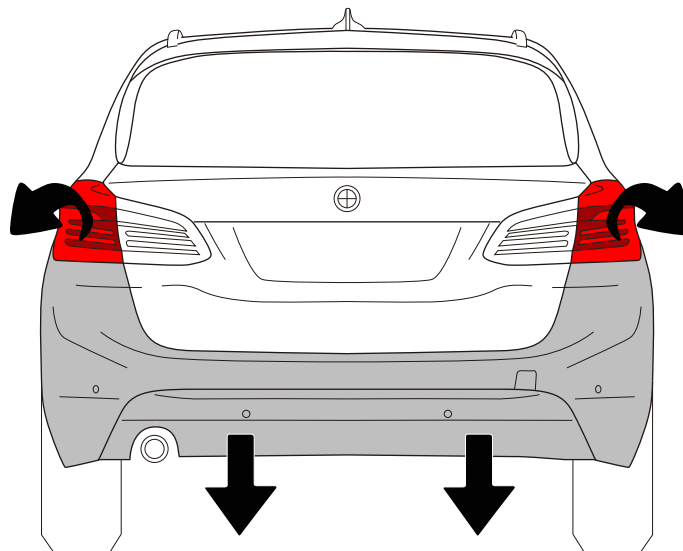
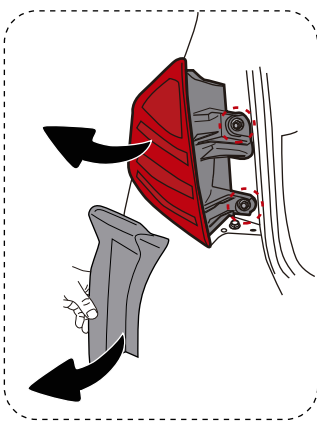
**BMW X2**

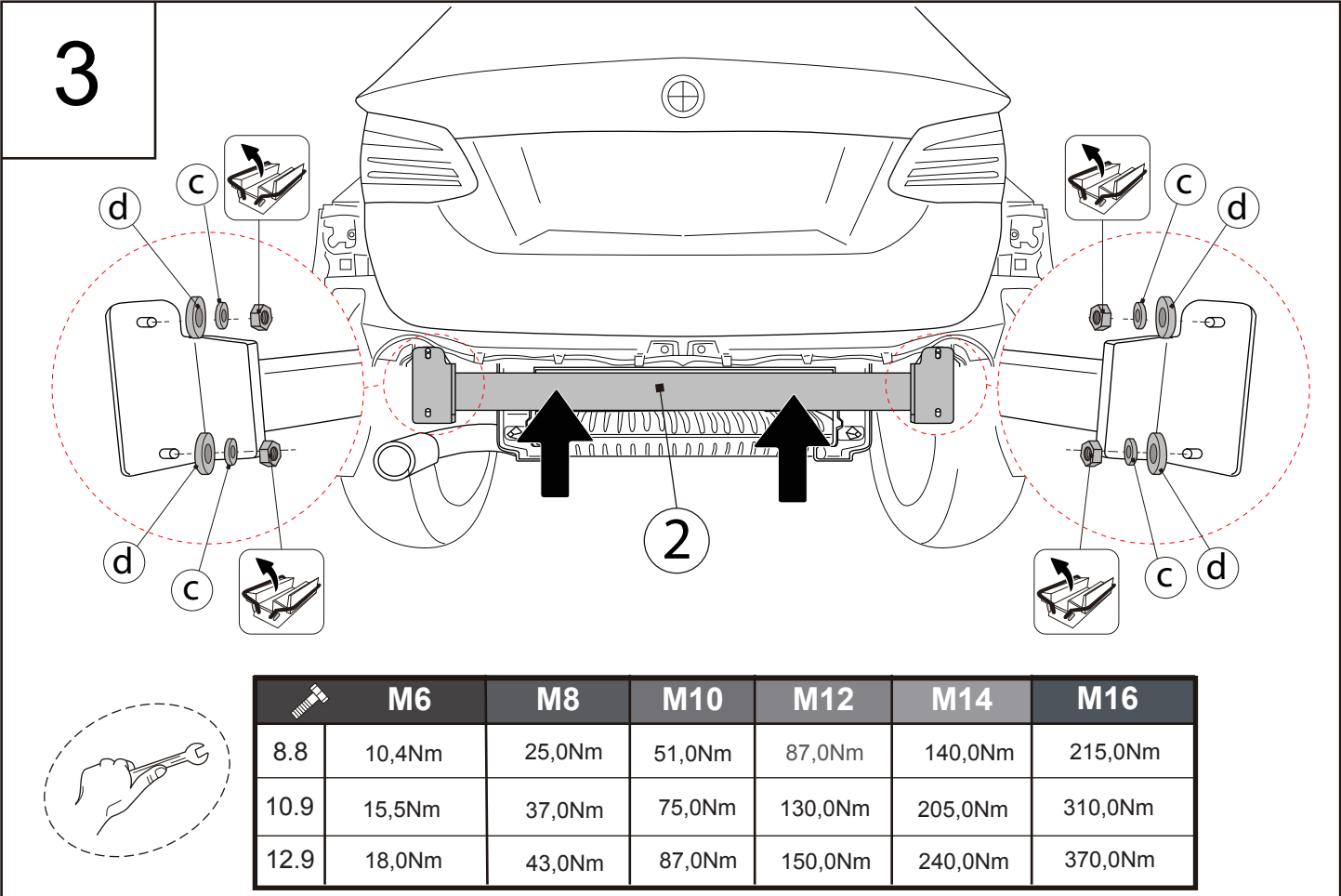
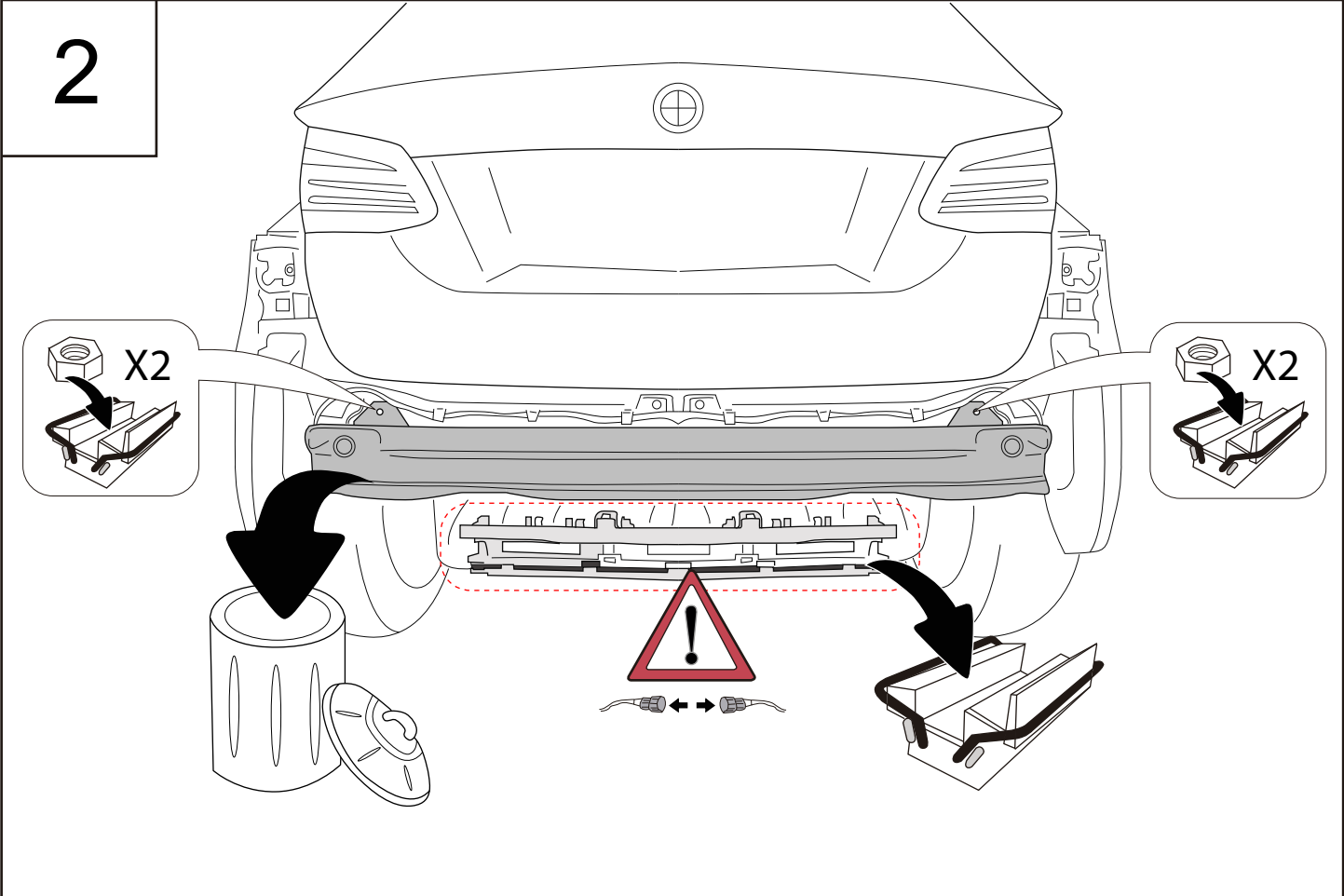
**MINI COUNTRYMAN COOPER**  
**CLUBMAN STATE F54**



Instrucciones de montaje - Installation instructions - Notice de montage - Montage- og driftsvejledning

1

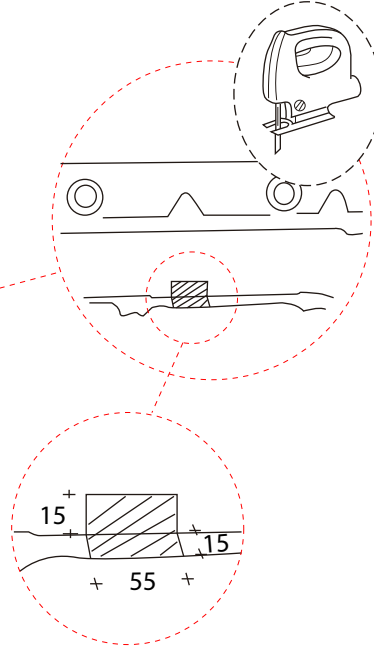
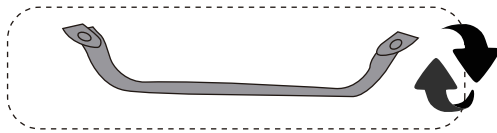
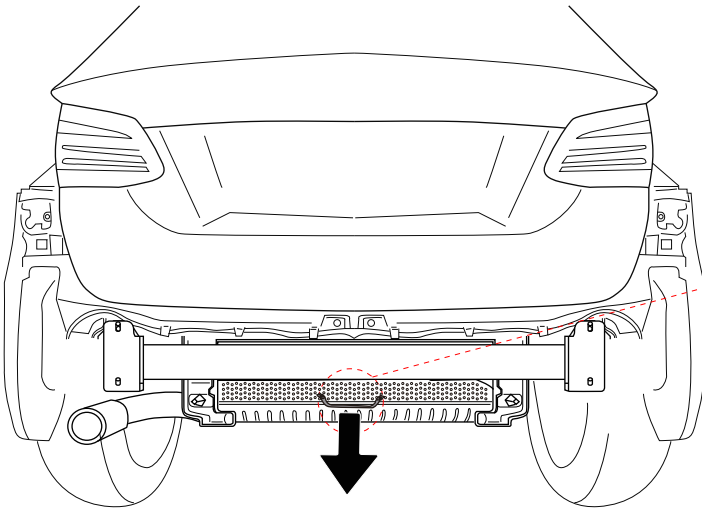
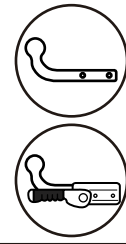




4



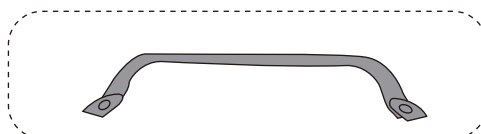
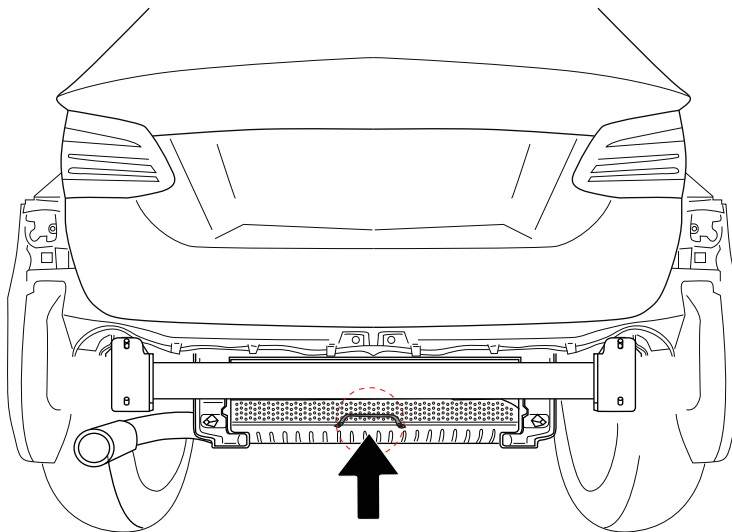
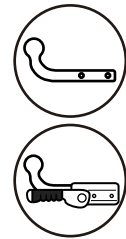
**MINI COUNTRYMAN COOPER  
CLUBMAN STATE F54**



5



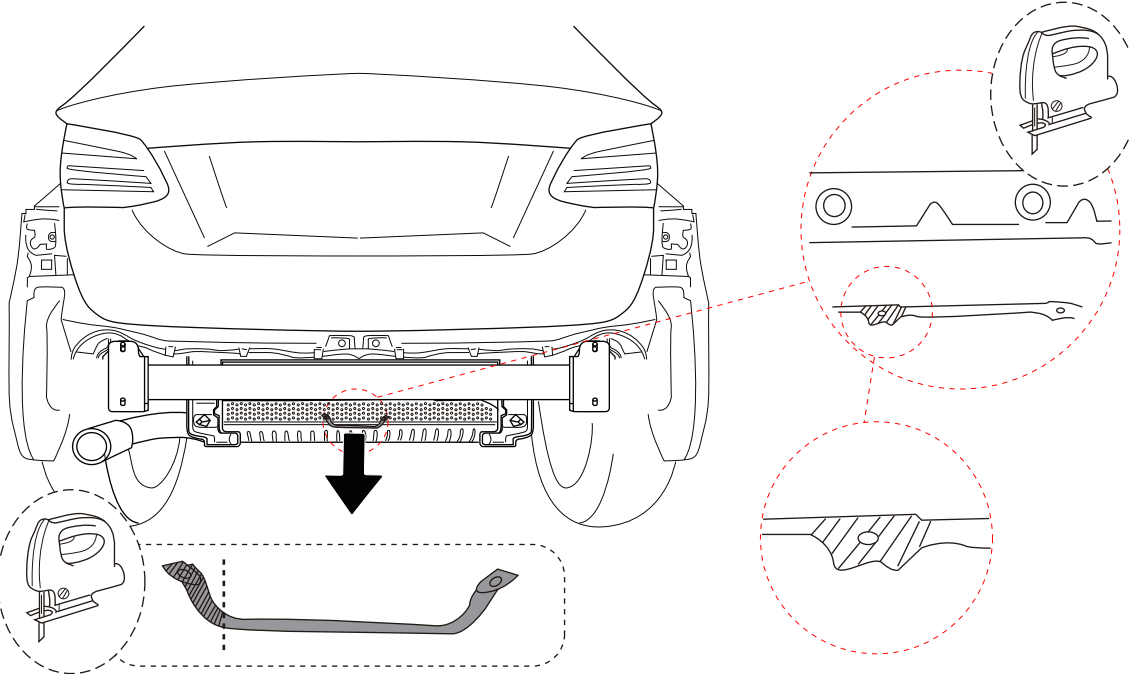
**MINI COUNTRYMAN COOPER  
CLUBMAN STATE F54**



6



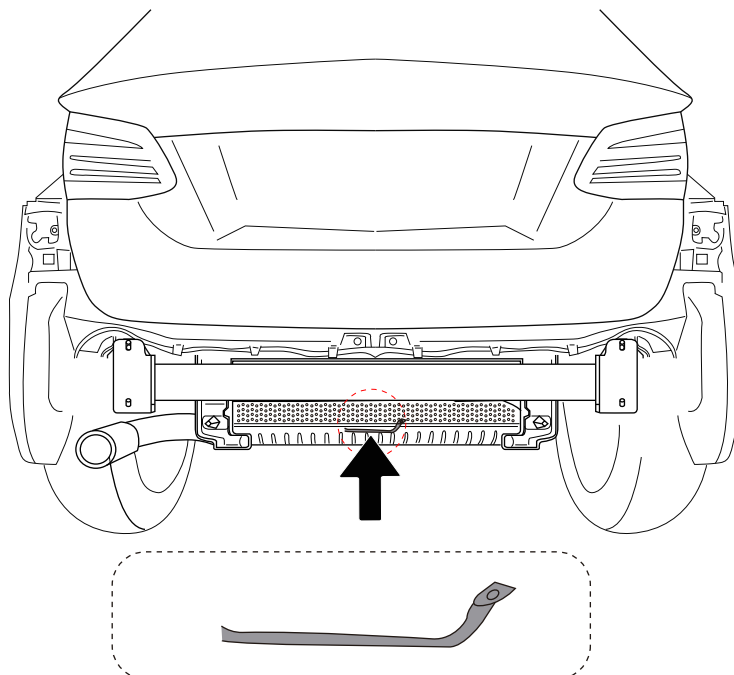
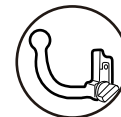
**MINI COUNTRYMAN COOPER  
CLUBMAN STATE F54**



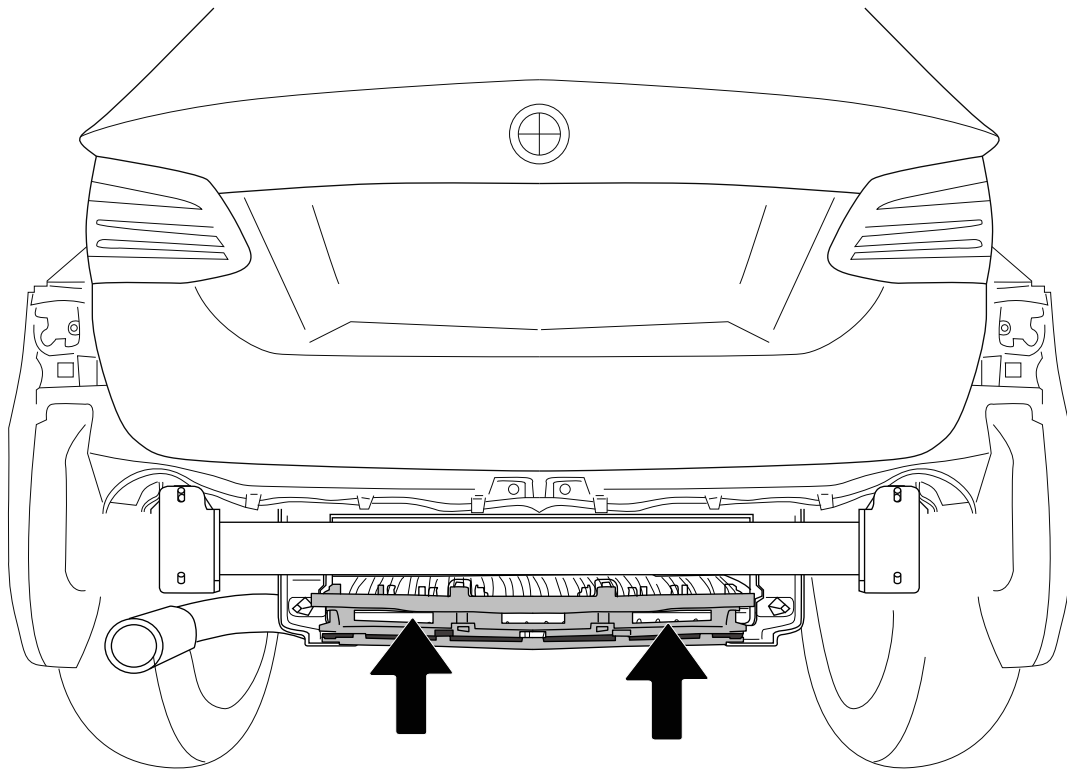
7



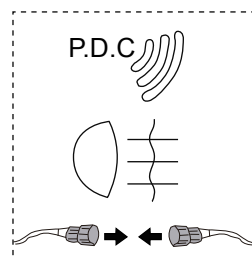
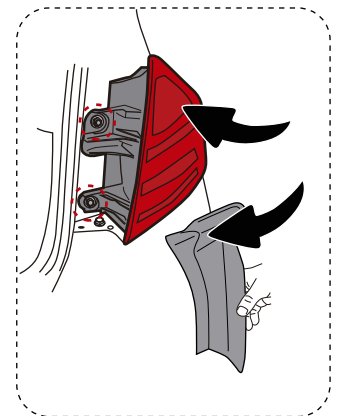
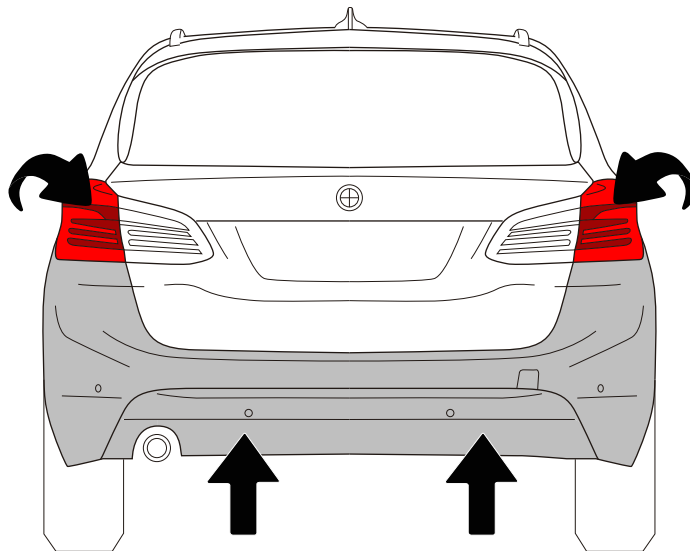
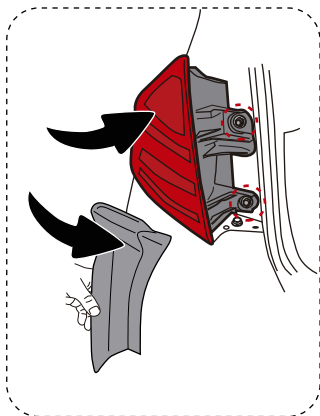
**MINI COUNTRYMAN COOPER  
CLUBMAN STATE F54**

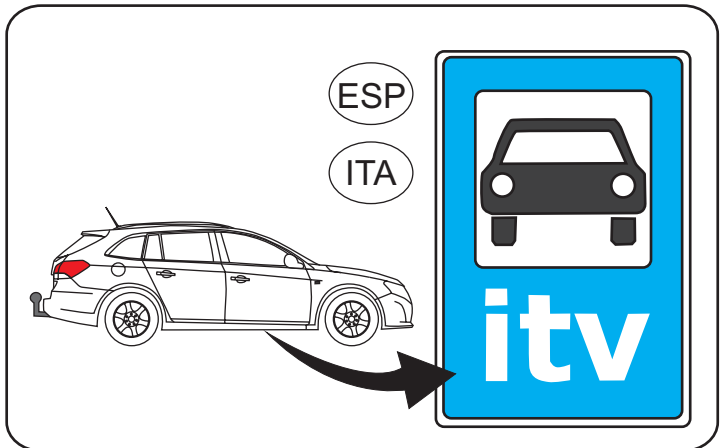
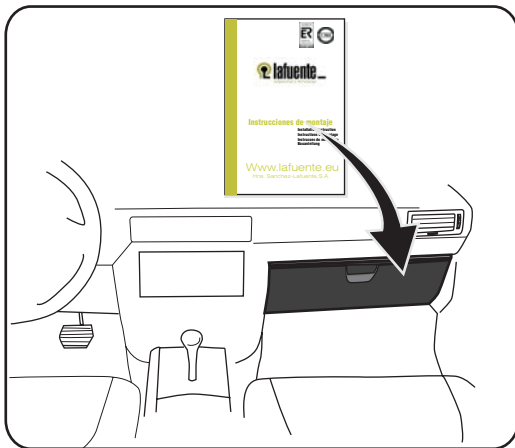
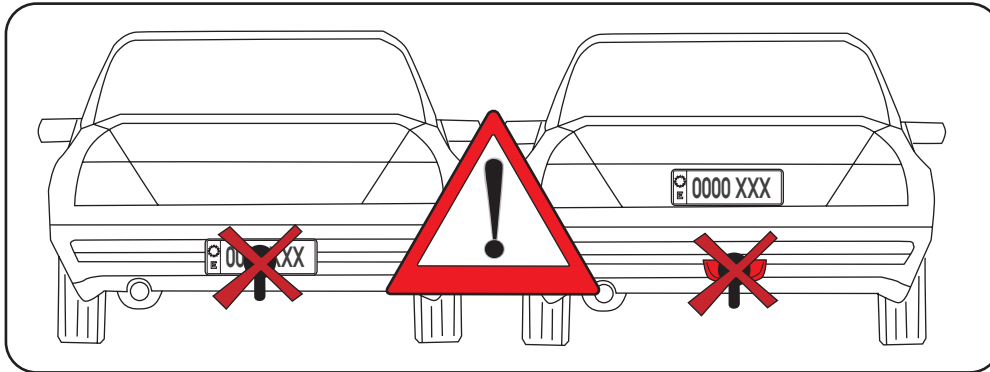
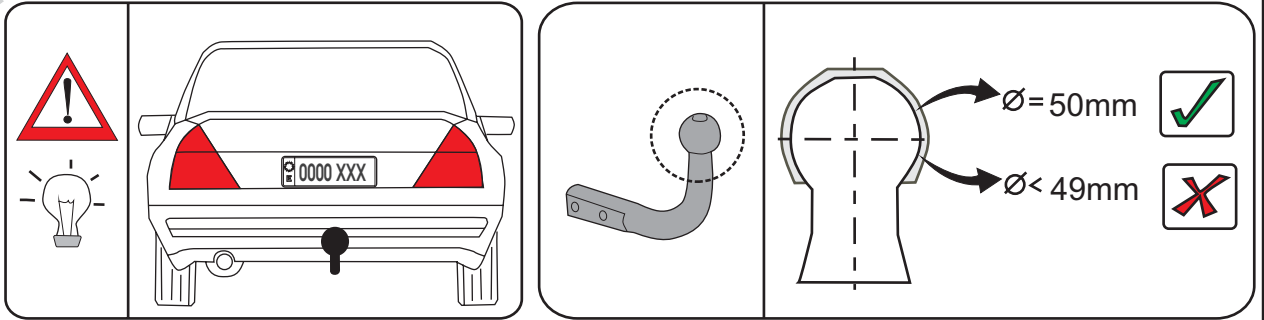
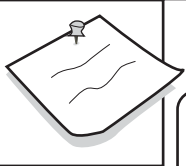


8



9





	M6	M8	M10	M12	M14	M16
8.8	10,4Nm	25,0Nm	51,0Nm	87,0Nm	140,0Nm	215,0Nm
10.9	15,5Nm	37,0Nm	75,0Nm	130,0Nm	205,0Nm	310,0Nm
12.9	18,0Nm	43,0Nm	87,0Nm	150,0Nm	240,0Nm	370,0Nm